

1880 Hoftrac



WEIDEMANN
designed for work



1880 Technical specifications

Engine data Standard

Manufacturer	Perkins
Engine type	404J-E22T
Cylinders	4
Engine performance (max.)	45 (61) kW (hp)
at rpm (max.)	2800 rpm
Cubic capacity	2200 cm ³
Cooling system	Water
Emissions standard level	V
Exhaust after treatment	DPF / DOC

Electrical system

Operating voltage	12 V
Alternator	85 A
Weights	
Operating weight (standard)	3400 kg
Tipping load with bucket - machine straight	2086 kg
Tipping load with bucket - machine articulated	1692-1898* kg
Tipping load with pallet fork - machine straight	1731 kg
Tipping load with pallet fork - machine articulated	1459-1605* kg
Vehicle data	
Axle	PA 940
Cab (optional)	FSD (cab)
Ground speed (optional)	0 - 20 (28) km/h
Speed stages	2
Fuel tank capacity	65 l
Hydraulic oil tank capacity	35 l
Hydraulic system	
External services - Operating pressure	450 bar
Steering hydraulics - Oil flow (optional)	56 (63-100) l/min
Steering hydraulics - Operating pressure	210 bar
Drive	
Type of drive	Hydrostatic
Traction drive	Universal joint shaft
Noise values	
Average sound power level L _{WA}	99.8 dB(A)
Guaranteed sound power level L _{WA}	101 dB(A)
Specified sound pressure level L _{pA}	82 dB(A)

* Mit optionaler Ausstattung (z.B. Kabine, Achse, Bereifung, Ballastgewicht, Gussheckgewicht usw.)

Kipplastberechnung nach ISO 14397

FSD = Fahrerschutzdach

eps = Easy Protection System (klappbares Fahrerschutzdach)

DPF = Dieselpartikelfilter

Vibrationen (gewichteter Effektivwert)

Hand-Arm-Vibrationen: Die Hand-Arm-Vibrationen betragen nicht mehr als $2,5 \text{ m / s}^2$

Ganzkörpervibrationen: Diese Maschine ist mit einem Fahrersitz ausgerüstet der die Anforderung von EN ISO 7096:2000 erfüllt.

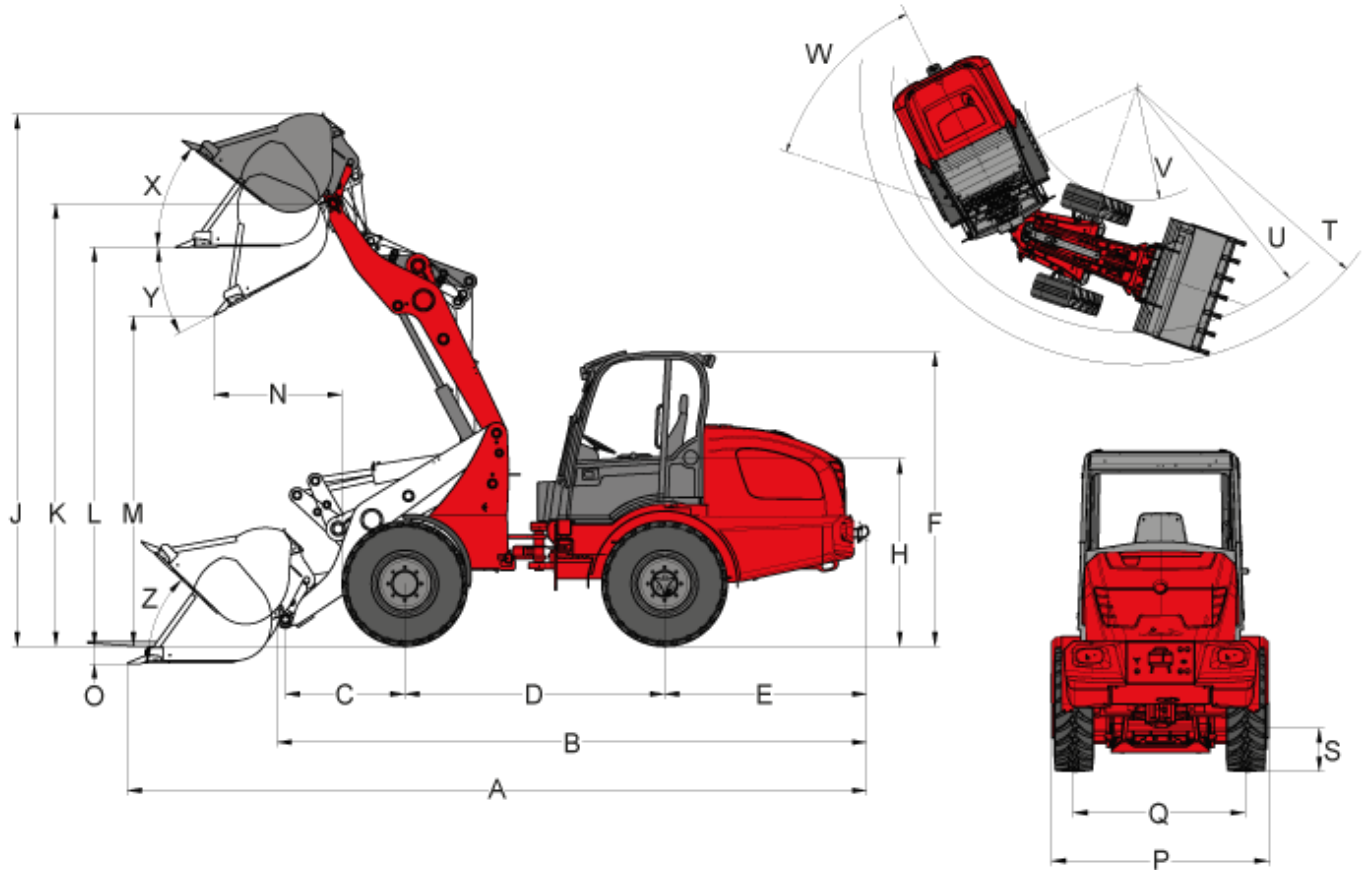
Bei bestimmungsgemäßer Verwendung des Laders variieren die Ganzkörpervibrationen von unter $0,5 \text{ m / s}^2$ bis zu einem kurzfristigen Maximalwert.

Es wird empfohlen, bei der Berechnung der Vibrationswerte nach ISO/TR 25398:2006, die in der Tabelle angegebenen Werte zu verwenden. Dabei sind die tatsächlichen Einsatzbedingungen zu berücksichtigen.

Teleskoplader sind wie Radlader nach Betriebsgewicht einzuordnen.

Laderart	Typische Betriebsbedingung	Mittelwert			Standardabweichung (s)		
		$1,4 \cdot a_{w,eqx}$ [m/s ²]	$1,4 \cdot a_{w,eqy}$ [m/s ²]	$a_{w,eqz}$ [m/s ²]	$1,4 \cdot s_x$ [m/s ²]	$1,4 \cdot s_y$ [m/s ²]	s_z [m/s ²]
Kompakt-Radlader (Betriebsgewicht < 4500kg)	Load & carry (Lade- und Transportarbeiten)	0,94	0,86	0,65	0,27	0,29	0,13
Radlader (Betriebsgewicht > 4500kg)	Load & carry (Lade- und Transportarbeiten)	0,84	0,81	0,52	0,23	0,2	0,14
	Einsatz in der Gewinnung (raue Einsatzbedingungen)	1,27	0,97	0,81	0,47	0,31	0,47
	Überführungsfahrt	0,76	0,91	0,49	0,33	0,35	0,17
	V-Betrieb	0,99	0,84	0,54	0,29	0,32	0,14

1880 Dimensions



		1880 FSD	1880 cab
A	Total length	4,715 mm	4,715 mm
B	Total length (without bucket)	4,022 mm	4,022 mm
C	Axle middle to bucket pivot pin	675 mm	675 mm
D	Wheelbase	1,952 mm	1,952 mm
E	Rear overhang	1,290 mm	1,290 mm
F	Height to top of overhead guard fixed	2,336 mm	
F	Height to top of cabin		2,346 mm
H	Seat top height	1,349 mm	1,349 mm
J	Total working height	3,675 mm	3,943 mm
K	Height of bucket pivot (max.)	3,203 mm	3,203 mm
L	Load-over height	2,861 mm	2,885 mm
M	Dumping height	2,454 mm	2,433 mm
N	Operating distance for M	198 mm	257 mm
O	Digging depth	104 mm	41 mm
P	Total width	1,214 mm	1,214 mm
Q	Track width	950 mm	950 mm

S	Ground clearance	270 mm	248 mm
T	Maximum radius external	3,447 mm	3,434 mm
U	Radius at the outer edge	3,171 mm	3,171 mm
V	Inside turning radius	1,831 mm	1,831 mm
W	Inclination angle	45 °	45 °
X	Rollback angle at max. lifting height	52 °	50 °
Y	Dumping angle (max.)	41 °	48 °
Z	Rollback angle (on the ground)	42 °	39 °

1880

Hoftrac

1880 Standard components

Motor

- Perkins 404 J-E22TA (45 kW / 61 HP), Stage V

Drive system

- PA940 planetary axle
- Hydrostatic all-wheel drive, travel direction can be selected via joystick
- Service brake: Hydrostatic drive system acting on all 4 wheels (wear-free)
- Central service and parking brake in the drive train acting on all 4 wheels
- 100% differential lock, electric-hydraulically connectable on front and rear axle
- Tires 10.0 / 75 - 15.3 AS ET-5

Steering system

- Hydraulic articulated pendulum steering, 12° oscillating angle

Hydraulics

- 3rd control circuit in front electrically proportional in parallel via joystick
- Hydraulic oil cooler
- Floating position for lift cylinder

Driver's Cabin

- Operator's canopy with retaining system roll-over protective structure / FOPS-tested, including rear window, laterally tiltable driver's cabin
- Comfort seat with safety belt, fully suspended, weight, back and horizontal adjustment
- Joystick with direction control switch and integrated touch button for differential lock
- Adjustable steering column

Other

- Working lights (2 front, 2 rear)
- Operating hour meter
- Battery circuit breaker
- Fuel display
- Hydraulic quick-change system for attachments
- Toolbox in the vehicle rear
- Bucket status display
- Self-recovery coupling

1880

Hoftrac

1880 Options

Motor

- Engine pre-heater + hydraulic oil pre-heater 230 V

Drive system

- Hand inching (creep speed controller)
- Speed increase to 28 km/h
- Load arm dampening

Driver's Cabin

- Roof lining for operator's canopy
- Front window complete with wiper
- 2-door cabin, including heating and ventilation
- Air-cushioned comfort seat (artificial leather / fabric)
- Heated seat
- Air-conditioning system
- Cabin plug receptacle 230 V

Lighting

- Lighting according to Road Traffic Regulations
- MEGA working lights (2 front, 2 rear)
- LED working lights (2 front, 2 rear)
- Rotating beacon

Hydraulics

- Unpressurised reverse travel (front / rear)
- 3rd control circuit, electrically, proportionally, serial
- 4th additional control circuit electrically proportional in parallel
- Work hydraulics of large pump (63 l/min)
- Work hydraulics of large pump (70 l/min)
- High flow single-acting performance hydraulics (100 l/min)
- Additional hydraulic oil cooler
- Dual-acting hydraulic connection in rear (30 l/min) proportional (two couplings) via reversing valve
- Dual-acting hydraulic connection in rear (30 l/min) (two couplings), including separate steering valve
- 2x hydraulic connection in rear (30 l/min) dual acting (four couplings), including separate steering valve

Electrical connections

- Front plug receptacle, 7-pole for lighting front attachments
- Front plug receptacle, 3-pole (dual function)
- Plug receptacle for rear attachments, 7-pin
- Triple-pole rear plug receptacle

Other

- Radio
- Reversing warning system
- Load-lowering valve
- Combination case with warning triangle and first-aid kit
- Tool kit
- Fire extinguisher 2kg

- Technical Inspection Authority expert's report
- Automatic trailer coupling
- Approval as self-propelled work machine with AHK*
- Official approval for road use
- Registration plate mounting
- Fully automatic central lubrication unit
- Custommade paint finish
- Hand lever grease gun

* Trailer coupling

Please note: that product availability can vary from country to country. It is possible that information / products may not be available in your country. More detailed information on engine power can be found in the operator's manual; the stated power may vary due to specific operating conditions. Subject to alterations and errors excepted. Applicable also to illustrations.

Copyright © 2021 Weidemann GmbH.