

SOLOMIX 2



NEW EDITION **SOLOMIX 2**

Mixer feeder wagons
models 1000 - 3200

Trioliet. Invents for you.

 **TRIO LIET**
FEEDING TECHNOLOGY

Trioliet feeding technology | since 1950



Feeding with perfect precision

Trioliet was established by the three Liet brothers in 1950. This family business specialises in the development, production and delivery of mechanised and automated customised solutions for the feeding of ruminant livestock. Sustainability and efficiency are important objectives for modern and professional dairy and beef farmers. The latest technological innovations are used in the development of the machines. Trioliet has various patents in its name, which not only make the machines unique, but also extremely efficient and user friendly. Feeding with perfect precision is the rationale we base everything on and this fits in with the wishes and needs of modern dairy and beef farmers.

www.trioliet.com

 **TRIOLIET**
FEEDING TECHNOLOGY

Over 65 years of innovation



Perfect accuracy is
our starting point

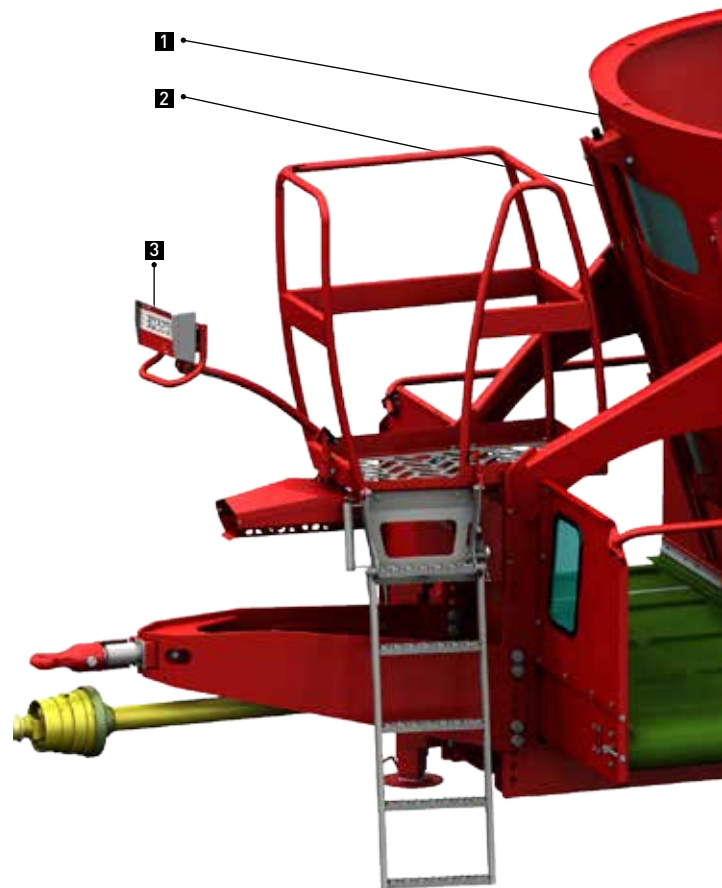


Index

2 3	Trioliet
4 5	Unique features Solomix 2
6 11	Solomix 2
12 13	Weighing system and TFM Tracker
14 15	Discharge options
16 17	Straw blower Solomix P2
18 19	Accessories
20 32	Technical specifications
33 38	Solomix 2 X-Range

Unique features Solomix 2

**Fuel saving, long-lasting usage
and best mixing result**



1 Dual Flow by Offset Inserts | The Solomix 2 is equipped with patented Offset Inserts, for interaction between the front and rear mixing chambers (forced horizontal mixing), resulting in a quick and homogeneous mixing and a consistent and complete discharge.

2 Wide observation window for perfect view at the mixing process | Not for all models.

3 Unique weighing system | Three heavy duty weigh bars provide maximum stability. Every weigh bar has double sided strain gauges for maximum accuracy. The weight indicator is placed in a rugged indicator case of high-impact durable material.

4 Unique bearing construction | The auger bearings include a maintenance-free conical roller bearing at the top and a sinter sleeve bearing at the bottom. This bearing construction will absorb all axial and radial auger forces. The large bearing distance ensures maximum stability and a long life.

5 Integrated chassis for long life time | All Trioliet mixer feeders have a very stable auger construction, supported on the chassis. As a result all forces on the mixing auger are directly absorbed by the chassis.





6 Trioform auger knives: less resistance, less fuel | The patented shape of the auger knives reduces the resistance. Because of this, fuel is saved. The Trioform auger knives are also self-sharpening and the special shape lead up to a higher strength and long life.

7 Stronger and hard-wearing augers through overlapping welding.

8 Twin Stream augers for better performance | The optimum auger shape of the Twin Stream auger result in a quick and homogeneous mixing action at a low power requirement (low diesel consumption). Even and quick discharge caused by the two symmetrical dispenser arms.

9 Trioliet wear ring for stability and long life time | The special Trioliet wear ring ensures a long life of the mixing tub.

10 Access to any stable | Sturdy Trioliet tires underneath the mixer feeder wagon ensure a low machine height. These mixer feeders are very suitable for skid loader and fit in low barns.

11 Rubber hay ring | The flexible solution for volume-rich material.

Solomix 2



Compact, but spectacular in performance

The Solomix 2 is a compactly constructed mixer feeder wagon and can be delivered with a capacity from 10 up to 32 m³/350-1,150 cu.ft. For both large and small livestock breeders and for every specific situation Trioliet has the appropriate mixer feeder wagon. The Solomix 2 can be made to measure, if desired. Its specific characteristics and high quality make the mixer feeder wagon unique, efficient and very easy to work with.





The standard model is complete

All Solomix 2 mixer feeder wagons are equipped with 2 mixing augers, long-lasting auger bearings and stable auger bases, which are supported by a solid chassis. The patented **'Dual Flow' system** ensures perfect mixing of the feed. The Solomix 2 series can be delivered in various discharge options at the front, side or rear of the machine.

▾ ▾ This compact machine can be delivered custom made ▾ ▾

Solomix 2



The details make the difference

On the inside of all Solomix 2 mixer feeder wagons asymmetrical triangles or offset inserts are fitted. The asymmetrical inserts force the feed to be mixed even in the horizontal direction. This **'Dual Flow'** quickly leads to an optimum, homogeneously mixed ration and a quick and even discharge. Trioliet holds the patent on its form and positioning.



Patented Trioform auger knives

The **Trioform** auger knives are mounted at horizontal position on the auger flighting. This ensures an optimum cutting performance with less resistance in the feed (fuel saving). The patented Trioform auger knives are self-sharpening and the special shape lead up to a higher strength and long life.



Solomix 2



Auger and mixing tub technically thought through

The mixing augers and the mixing tub have been well thought through technically. The unique '**Twin stream**' augers have two symmetrical dispenser arms, which ensure that the feed is discharged quickly and evenly. Even small mixtures are mixed quickly and accurately because of this. The mixing tub is provided with robust walls which are highly wear-resistant. The special **wear ring** ensures greater stability and resistance to wear at the bottom of the mixing tub, where the pressure on the tub wall is the greatest.



Shifttronic



Shifttronic reduction gearbox: Fuel efficient and less wear and tear

For the vertical mixer feeder wagons larger than 16 m³/570 cu.ft. Trioliet has developed the 2 and 3 speed Shifttronic Reduction gearbox, which makes it possible to shift automatically to a higher mix and discharge speed in a number of steps. Based on the specific weight of the ration, the shifting moment can be programmed. There is a maximum of five programs which can be determined. The Power shift guarantees the longer lifespan of the tractor's power take-off shaft coupling and the machine's drive shaft line. A considerable amount of fuel is also saved, because the tractor runs continuously at optimum torque.

Triotronic and TFM Tracker



Precision demands advanced instruments

Healthy livestock demands the best feed available. Apart from this, accurate and proper feeding saves costs and is less stressful on the environment. An indispensable option on every Solomix 2 mixer feeder is the "Triotronic" electronic weighing system. This is a standard fitting with three robust weighing bars, which ensure maximum stability and accuracy. At every weighing bar two measurements are taken. The average value calculated ensures optimum precision. The stable produced weighing bars are insensitive to peak loads while moving. The digital weight indicator is well protected by its shockproof, watertight housing. The 2810 V scale is standard equipment when you order the weighing system; the 3610 V and 7600 T are options.



TFM Tracker

TFM Tracker is a full-featured Windows® based feed management system. TFM Tracker also offers operators additional management tools including: operator control, pen review, online feed data exchange with nutritionists, ingredient tracking and numerous reports. In addition to the standard feed management systems for dairy farms, we can now offer feed management systems for beef cattle farms and independent contractors as well.

TFM Tracker™ Dairy

The TFM Tracker™ Dairy version contains special functions for the dairy farmer to monitor and control the feeding process, for example measurement of the dry matter efficiency. It is possible to measure the yields of milk in kg versus the fed ingredients in kg, per group or per cow.



TFM Beef Tracker™

TFM Beef Tracker™ is a specialized version of the feed management software for beef cattle farms. It allows you to track cattle by lot, create data reports for ADG (average daily gain) and feed cost per kg of gain, make Dry Matter conversions and closeout summary reports. Also a Bunk Reader Module is available.



TFM Tracker™ Contractor

The TFM Tracker™ Contractor version is developed for the independent contractor to be able to manage and control the feed process for multiple customers. The workflow becomes easier to control because time and tonnage is tracked. Billing per customer per minute or tons fed becomes easy.



Discharge options



The perfect solution for any farm situation

The Solomix 2 is available in different discharge options. The front discharge machines are available from 10 to 32 m³/350-1,150 cu.ft. in different discharge options. One can choose from a high or a low discharge unit. For the transport, there is a choice of various possibilities: a synthetic conveyor belt, a conveyor chain, a curved conveyor chain, an adjustable elevator chain or side discharge doors. Side discharge is an excellent choice for any standard situation. The machine with side discharge is also available as Solomix P2 and can be equipped with a straw blower to distribute straw in deep litter stables and in cubicles. For any situation, such as low temperatures, small or wide feed alleys or feeding troughs, an appropriate choice can be made.



Discharge options

Machine models:

- VLH** = Discharge unit in front of the machine. Wheels underneath the mixing chamber.
Range (m³): 12 - 28
- VLL** = Discharge unit in front of the machine. Wheels next to the mixing chamber.
Range (m³): 10 - 28
- VLX** = Heavy Duty version of the VLH. Discharge unit in front of the machine.
Undercarriage underneath the mixing chamber. 1000 RPM driveline.
Range (m³): 24 - 32
- ZK(X)** = Discharge doors in the side wall of the mixing chamber. Other door positions possible on request.
Range (m³): 12 - 32
- P ZK(X)** = Discharge doors in the side wall of the mixing chamber with a straw bedder in front
Range (m³): 12 - 28

In addition to the discharg units below, additional discharge doors are possible.

The width of the discharge units may vary by machine type.

The width is therefore indicated in the standard version of the machine..

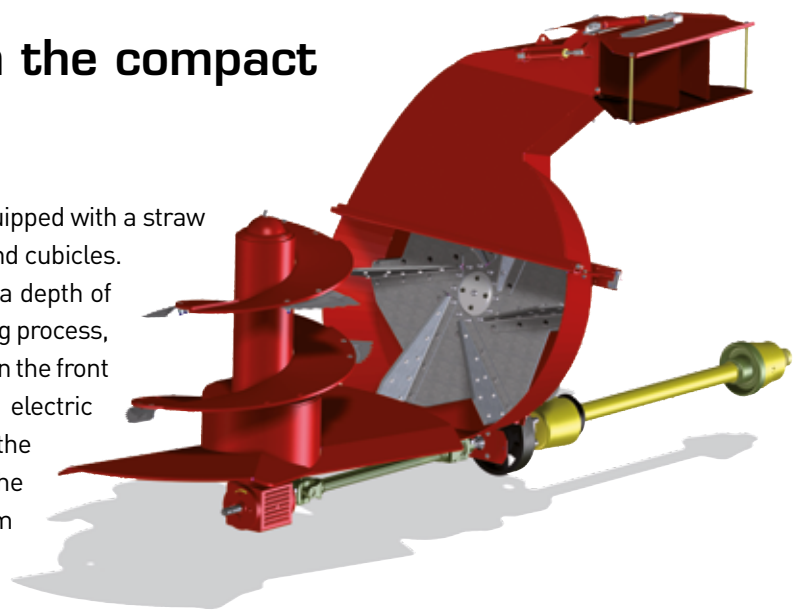
- B** Cross conveyor belt. Conveyor belt on the backside possible on request.
Available for series: VLL, VLH, VLX
- K** Chain conveyor
Available for series: VLL, VLH, VLX
- C** Curved chain conveyor with side shift
Available for series: VLL, VLH, VLX
- S** Chain conveyor with in height adjustable chain extension
Available for series: VLL, VLH, VLX
- T** Walking tandem axle

Solomix P2



Optimum spreading with the compact Solomix P2

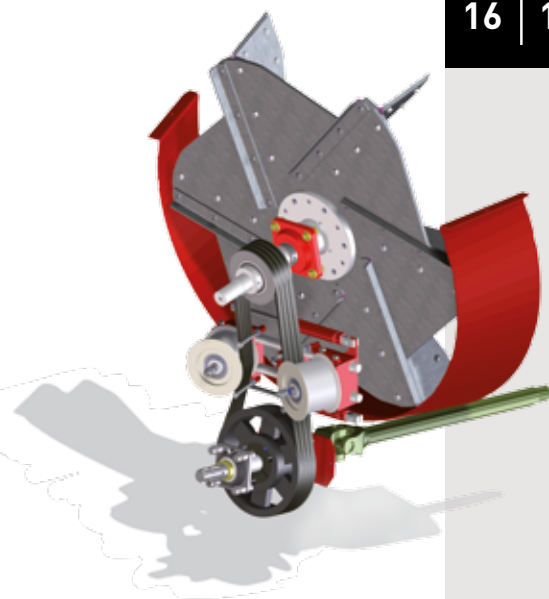
The Solomix P2 is a side discharge mixer feeder equipped with a straw blower for distributing straw in deep litter houses and cubicles. The powerful straw blower can spread straw up to a depth of 25 metres / 82'. For an optimum view of the spreading process, the mechanically powered straw blower is situated on the front of the machine. The machine is equipped with an electric remote control as standard, meaning that all of the machine's functions can be easily operated from the tractor cab. To reduce dust emissions, a spray system is available as an option.





Simple and reliable drive

The straw blower is equipped with a mechanically powered turbine. The turbine is located at an angle directly on the mixer cart without the intervention of additional components or a gear box. This therefore allows for a compact method of construction. The turbine is extremely efficiently powered via several drive belts (after work is finished, the turbine can slow down and come to a standstill on its own without having to place any extra strain on the drive train). The blow/ejection wheel is fitted with detachable blades in order to make maintenance simple. The discharge opening of the blowing pipe is hydraulically operated in terms of both its height and width, so that straw can be spread in every desired area of the stable.



Accessories



< Dust control
Solomix P



< Magnet on
auger wing



< Reduction
gearbox



< Adjustable chain
conveyor



< Cross conveyor
belt at the rear
(ALH-B)



< Rubber hay ring



< Electric operation



< Belt conveyor
with side-shift



Accessories



< Shifttronic
2-speed
Reduction
gearbox



< Camera
system



< Hydraulic
Jack



< LED
lighting set



< Rear pre-mix
door



< Hydraulic
operation
of restrictor blades



< Electric operation
for reduction
gearbox



< Manual adjustable
discharge chute
with magnet kit

Solomix 2 | 1000 - 2000 | VLL - B

NEW EDITION



Standard features

- 2 Twin Stream augers (15mm flighting/18mm wings)
- 2 Restrictor blades
- Front conveyor belt
- Wide-angle PTO shaft
- Adjustable and reversible drawbar
- Hydraulic brake system
- Two large single wheels
- Control by bowden cable
- Trioform auger knives short

MODEL	1000 VLL-B	1200 VLL-B	1200L VLL-B	1400 VLL-B	1600 VLL-B	1600L VLL-B	1800 VLL-B	2000 VLL-B
Discharge	Cross conveyor belt at front							
Capacity	m ³ 10	12	12	14	16	16	18	20
Overall length	m 5,63	5,63	6,50	6,58	6,64	7,09	7,13	7,20
Overall width	m 2,14	2,15	2,29	2,29	2,29	2,44	2,44	2,44
Overall height	m 2,40	2,67	2,46	2,77	2,94	2,58	2,74	2,95
Track width outside wheels	m 2,01	2,03	2,28	2,29	2,29	2,43	2,43	2,43
Discharge height	m 0,54	0,55	0,57	0,57	0,57	0,57	0,57	0,57
Width of cross conveyor belt	m 0,75	0,75	1,00	1,00	1,00	1,00	1,00	1,00
Net weight	kg 3.420	4.100	4.850	5.950	6.150	6.200	6.650	6.850
Maximum load	kg 4.000	4.500	5.000	5.750	6.350	6.300	7.100	7.750
PTO Drive	540	540	540	540	540	540	540	540
Power requirement PTO	HP (kW) 66 (48)	66 (48)	75 (55)	75 (55)	82 (60)	85 (62)	85 (62)	96 (70)
Wheels (2 x)	← 315/80 R22,5 → ————— 385/65 R22,5 —————							
Required hydraulic capacity	20 l/min., 170 bar							
Required tractor hydraulics	1 single acting valve							

Solomix 2 | 2400 - 2800 | VLL - B

NEW EDITION



Standard features

- 2 Twin Stream augers (15mm flighting/18mm wings (2400) or Long Life augers with 22mm flighting/25mm wings (2800))
- 2 Reversible restrictor blades
- Wide-angle PTO shaft (Wide angle 1000 RPM PTO-shaft with shearbolt (1 3/4"-20 tractor connection) for 2800)
- Adjustable and reversible drawbar
- Reduction gearbox standard with cooling system (2800)
- 2 Large single wheels
- Control by bowden cable
- Wear ring
- Hydraulic brake system
- Trioform auger knives short
- Dual Flow: Improved shape of the mixing tub and offset inserts
- Large discharge door with rounded edges for better discharge
- Wide discharge unit (w=1m) with conveyor belt for discharge at both sides (right and left)
- Stairs with platform and windows
- 2 Windows in discharge unit

MODEL	2400 VLL-B	2800 VLL-B
Discharge	Cross conveyor belt at front	
Capacity	m ³ 24	28
Overall length	m 7,68	7,78
Overall width	m 2,75	2,76
Overall height	m 3,00	3,36
Track width outside wheels	m 2,85	2,85
Discharge height	m 0,68	0,69
Height bottom of belt (with side-shift)	m 0,45	0,47
Net weight	kg 7.950	8.750
Maximum load	kg 8.250	10.250
PTO Drive	540	1000
Power requirement PTO	HP (kW) 109 (80)	120 (88)
Wheels (2 x)	19.5 R 22.5	19.5 R 22.5
Required hydraulic capacity	20 l/min., 170 bar	
Required tractor hydraulics	1 single acting valve	

Solomix 2 | 1200L - 2000 | VLL - K

NEW EDITION



Standard features

- 2 Twin Stream augers (15mm flighting/18mm wings)
- 2 Reversible restrictor blades
- Wide-angle PTO shaft
- Adjustable and reversible drawbar
- 2 Large single wheels
- Control by bowden cable
- Wear ring
- Hydraulic brake system
- Trioform auger knives short
- Dual Flow: Improved shape of the mixing tub and offset inserts
- Large discharge door with rounded edges for better discharge
- Wide discharge unit (w=0,96m) with chain conveyor for discharge at both sides(right and left)
- Stairs with platform and windows
- 2 Windows in discharge unit

MODEL		1200L VLL-K	1400 VLL-K	1600 VLL-K	1600L VLL-K	1800 VLL-K	2000 VLL-K
Discharge		Cross conveyor chain at front					
Capacity	m ³	12	14	16	16	18	20
Overall length	m	6,50	6,58	6,64	7,09	7,13	7,20
Overall width	m	2,29	2,29	2,29	2,44	2,44	2,44
Overall height*	m	2,46	2,77	2,94	2,58	2,74	2,95
Track width outside wheels	m	2,28	2,29	2,29	2,43	2,43	2,43
Discharge height	m	0,56	0,56	0,56	0,56	0,56	0,56
Height bottom of belt (with side-shift)	m	0,34	0,34	0,34	0,34	0,34	0,34
Net weight	kg	4.950	6.050	6.250	6.350	6.750	6.950
Maximum load	kg	5.000	5.650	6.250	6.150	7.000	7.650
PTO Drive		540	540	540	540	540	540
Power requirement PTO	HP (kW)	75 (55)	75 (55)	82 (60)	85 (62)	85 (62)	96 (70)
Wheels (2 x)		385/65 R 22.5					
Required hydraulic capacity		20 l/min., 170 bar					
Required tractor hydraulics		1 single acting valve					

Solomix 2 | 2400 - 2800 | VLL - K

NEW EDITION



Standard features

- 2 Twin Stream augers (15mm flighting/18mm wings (2400) or Long Life augers with 22mm flighting/25mm wings (2800))
- 2 Reversible restrictor blades
- Wide-angle PTO shaft (Wide angle 1000 RPM PTO-shaft with shearbolt (1¼"-20 tractor connection) for 2800)
- Adjustable and reversible drawbar
- Reduction gearbox standard with cooling system (2800)
- 2 Large single wheels
- Control by bowden cable
- Wear ring
- Hydraulic brake system
- Trioform auger knives short
- Dual Flow: Improved shape of the mixing tub and offset inserts
- Large discharge door with rounded edges for better discharge
- Wide discharge unit (w=0,96m) with chain conveyor for discharge at both sides (right and left)
- Stairs with platform and windows
- 2 Windows in discharge unit

MODEL		2400 VLL-K	2800 VLL-K
Discharge		Cross conveyor chain at front	
Capacity	m ³	24	28
Overall length	m	7,68	7,78
Overall width	m	2,75	2,76
Overall height	m	3,00	3,36
Track width outside wheels	m	2,85	2,85
Discharge height	m	0,70	0,69
Height bottom of belt (with side-shift)	m	0,45	0,47
Net weight	kg	8.120	8.920
Maximum load	kg	8.080	10.080
PTO Drive		540	1000
Power requirement PTO	HP (kW)	109 (80)	120 (88)
Wheels (2 x)		19.5 R 22.5	
Required hydraulic capacity		20 l/min., 170 bar	
Required tractor hydraulics		1 single acting valve	

Solomix 2 | 1200L - 2000 | VLL - C

NEW EDITION



Standard features

- 2 Twin Stream augers (15mm flighting/18mm wings)
- 2 Reversible restrictor blades
- Wide-angle PTO shaft
- Adjustable and reversible drawbar
- 2 Large single wheels
- Control by bowden cable
- Wear ring
- Hydraulic brake system
- Trioform auger knives short
- Dual Flow: Improved shape of the mixing tub and offset inserts
- Large discharge door with rounded edges for better discharge
- Wide curved chain conveyor (w=0,87m) with side shift for discharge at both sides
- Stairs with platform and windows
- 2 Windows in discharge unit

MODEL		1200L VLL-C	1400 VLL-C	1600 VLL-C	1600L VLL-C	1800 VLL-C	2000 VLL-C
Discharge		Curved chain conveyor with side shift					
Capacity	m ³	12	14	16	16	18	20
Overall length	m	6,50	6,58	6,64	7,09	7,13	7,20
Overall width	m	2,30	2,30	2,30	2,54	2,54	2,54
Overall height	m	2,46	2,77	2,94	2,58	2,74	2,95
Track width outside wheels	m	2,28	2,29	2,29	2,43	2,43	2,43
Height bottom of chain (retracted)*	m	0,65	0,65	0,65	0,72	0,72	0,72
Height bottom of chain (side shifted)*	m	0,79	0,79	0,79	0,96	0,96	0,96
Net weight	kg	5.100	6.200	6.400	6.450	6.900	7.100
Maximum load	kg	5.000	5.500	6.100	6.050	6.850	7.500
PTO Drive		540	540	540	540	540	540
Power requirement PTO	HP (kW)	75 (55)	75 (55)	82 (60)	85 (62)	85 (62)	96 (70)
Wheels (2 x)		385/65 R 22.5					
Required hydraulic capacity		20 l/min., 170 bar					
Required tractor hydraulics		1 single acting valve					

* Max. wall or trough height

Solomix 2 | 2400 - 2800 | VLL - C

NEW EDITION



Standard features

- 2 Twin Stream augers (15mm flighting/18mm wings (2400) or Long Life augers with 22mm flighting/25mm wings (2800))
- 2 Reversible restrictor blades
- Wide-angle PTO shaft (Wide angle 1000 RPM PTO-shaft with shearbolt (1 3/4"-20 tractor connection) for 2800)
- Adjustable and reversible drawbar
- Reduction gearbox standard with cooling system (2800)
- 2 Large single wheels
- Control by bowden cable
- Wear ring
- Hydraulic brake system
- Trioform auger knives short
- Dual Flow: Improved shape of the mixing tub and offset inserts
- Large discharge door with rounded edges for better discharge
- Wide curved chain conveyor (w=0,87m) with side shift for discharge at both sides
- Stairs with platform and windows
- 2 Windows in discharge unit

MODEL		2400 VLL-C	2800 VLL-C
Discharge		Curved chain conveyor with side shift	
Capacity	m ³	24	28
Overall length	m	7,68	7,78
Overall width	m	2,75	2,76
Overall height	m	3,00	3,36
Track width outside wheels	m	2,85	2,85
Height bottom of chain (retracted)*	m	1,06	1,08
Height bottom of chain (side shifted)*	m	1,32	1,34
Width of cross conveyor chain	m	0,89	0,91
Net weight	kg	8.250	9.050
Maximum load	kg	7.950	9.950
PTO Drive		540	1000
Power requirement PTO	HP (kW)	109 (80)	120 (88)
Wheels (2 x)		19.5 R 22.5	
Required hydraulic capacity		20 l/min., 170 bar	
Required tractor hydraulics		1 single acting valve	

* Max. wall or trough height

Solomix 2 | 1200L - 2000 | VLL - S

NEW EDITION



Standard features

- 2 Twin Stream augers (15mm flighting/18mm wings)
- 2 Reversible restrictor blades
- Wide-angle PTO shaft
- Adjustable and reversible drawbar
- 2 Large single wheels
- Control by bowden cable
- Wear ring
- Hydraulic brake system
- Trioform auger knives short
- Dual Flow: Improved shape of the mixing tub and offset inserts
- Large discharge door with rounded edges for better discharge
- Wide discharge unit (w=0,87m) with chain conveyor with in height adjustable chain extension (right side)
- Stairs with platform and windows
- 2 Windows in discharge unit

MODEL		1200L VLL-S	1400 VLL-S	1600 VLL-S	1600L VLL-S	1800 VLL-S	2000 VLL-S
Discharge		Adjustable chain conveyor at front (right)					
Capacity	m ³	12	14	16	16	18	20
Overall length	m	6,50	6,58	6,64	7,09	7,13	7,20
Overall width	m	2,46	2,46	2,46	2,54	2,54	2,54
Overall height	m	2,46	2,77	2,94	2,58	2,74	2,95
Track width outside wheels	m	2,28	2,29	2,29	2,43	2,43	2,43
Height bottom of conveyor (in)*	m	1,07	1,07	1,07	1,07	1,07	1,07
Height bottom of conveyor (out) *	m	0,72	0,72	0,72	0,72	0,72	0,72
Net weight	kg	5.100	6.200	6.400	6.400	6.850	7.050
Maximum load	kg	5.000	5.500	6.100	6.100	6.900	7.550
PTO Drive		540	540	540	540	540	540
Power requirement PTO	HP (kW)	75 (55)	75 (55)	82 (60)	85 (62)	85 (62)	96 (70)
Wheels (2 x)		385/65 R 22.5					
Required hydraulic capacity		20 l/min., 170 bar					
Required tractor hydraulics		1 single acting valve					

* max. wall or trough height (vary between 0,72m and 1,07m)

Solomix 2 | 2400 - 2800 | VLL - S

NEW EDITION



Standard features

- 2 Twin Stream augers (15mm flighting/18mm wings (2400) or Long Life auger with 22mm flighting/25mm wings (2800))
- 2 Reversible restrictor blades
- Wide-angle PTO shaft (Wide angle 1000 RPM PTO-shaft with shearbolt (1 3/4"-20 tractor connection) for 2800)
- Adjustable and reversible drawbar
- Reduction gearbox standard with cooling system (2800)
- 2 Large single wheels
- Control by bowden cable
- Wear ring
- Hydraulic brake system
- Trioform auger knives short
- Dual Flow: Improved shape of the mixing tub and offset inserts
- Large discharge door with rounded edges for better discharge
- Wide discharge unit (w=0,87m) with chain conveyor with in height adjustable chain extension (right side)
- Stairs with platform and windows
- 2 Windows in discharge unit

MODEL		2400 VLL-S	2800 VLL-S
Discharge		Adjustable chain conveyor at front (right)	
Capacity	m ³	24	28
Overall length	m	7,68	7,78
Overall width	m	2,75	2,76
Overall height	m	3,00	3,36
Track width outside wheels	m	2,85	2,85
Height bottom of conveyor (in)*	m	1,18	1,20
Height bottom of conveyor (out)*	m	0,82	0,85
Net weight	kg	8.150	8.950
Maximum load ***	kg	8.050	10.050
PTO Drive		540	1000
Power requirement PTO	HP (kW)	109 (80)	120 (88)
Wheels (2 x)		19.5 R 22.5	
Required hydraulic capacity		20 l/min., 170 bar	
Required tractor hydraulics		1 single acting valve	

* max. wall or trough height (vary between 0,82m and 1,20m)

Solomix 2 | 1200 - 1600 | VLH - B

NEW EDITION



Standard features

- 2 Twin Stream augers (15mm flighting/18mm wings)
- 2 Reversible restrictor blades
- Wide-angle PTO shaft with 1 $\frac{3}{4}$ -6 profile
- Adjustable and reversible drawbar
- Two large single wheels (1200-1400) or double wheels (1500-1600)
- Control by bowden cable
- Wear ring
- Hydraulic brake system
- Trioform auger knives short
- Dual Flow: Improved shape of the mixing tub and offset inserts
- Large discharge door with rounded edges for better discharge
- Wide discharge unit (w=1m) with conveyor belt for discharge at both sides (right and left)
- Stairs with platform and windows
- 2 Windows in discharge unit

MODEL		1200 VLH-B	1400 VLH-B	1500 VLH-B	1600 VLH-B
Discharge Capacity	m ³	12	14	15	16
Overall length	m	6,57	6,73	7,05	7,09
Overall width	m	2,22	2,22	2,28	2,28
Overall height	m	2,51	2,74	2,64	2,77
Track width outside wheels	m	1,70	1,80	2,05	2,05
Discharge height*	m	0,75	0,75	0,75	0,75
Height bottom of belt	m	0,55	0,55	0,55	0,55
Net weight	kg	5.000	5.200	5.600	5.700
Maximum load	kg	4.500	4.500	5.000	5.000
PTO Drive		540	540	540	540
Power requirement PTO	HP (kW)	82 (60)	82 (60)	85 (62)	85 (62)
Wheels		400/45 L17.5		235/75 R17.5 (double)	
Required hydraulic capacity		20 l/min., 170 bar			
Required tractor hydraulics		1 single acting valve			

* Top of belt

Solomix 2 | 1600L - 2400 | VLH - B

NEW EDITION



Standard features

- 2 Twin Stream augers (15mm flighting/18mm wings)
- 2 Reversible restrictor blades
- Wide-angle PTO shaft with 1 $\frac{3}{4}$ -6 profile
- Adjustable and reversible drawbar
- 2 Large single wheels
- Control by bowden cable
- Wear ring
- Hydraulic brake system
- Trioform auger knives short
- Dual Flow: Improved shape of the mixing tub and offset inserts
- Large discharge door with rounded edges for better discharge
- Wide discharge unit (w=1m) with conveyor belt for discharge at both sides (right and left)
- Stairs with platform and windows
- 2 Windows in discharge unit

MODEL		1600L VLH-B	1800 VLH-B	2000 VLH-B	2000L VLH-B	2400 VLH-B
Discharge Capacity	m ³	16	18	20	20	24
Overall length	m	7,52	7,56	7,61	7,99	7,68
Overall width	m	2,29	2,29	2,29	2,44	2,44
Overall height	m	2,69	2,83	3,02	2,70	3,23
Track width outside wheels	m	2,14	2,14	2,14	2,14	2,14
Discharge height*	m	0,87	0,88	0,87	0,88	0,88
Height bottom of belt	m	0,65	0,66	0,66	0,66	0,66
Net weight	kg	6.000	6.200	6.900	7.200	7.400
Maximum load	kg	7300	7300	6600	6300	6600
PTO Drive		540	540	540	540	540
Power requirement PTO	HP (kW)	102 (75)	102 (75)	102 (75)	112 (82)	109 (80)
Wheels		435/50 R 19.5				
Required hydraulic capacity		20 l/min., 170 bar				
Required tractor hydraulics		1 single acting valve				

* Top of belt

Solomix 2 | 1600L - 2800 | VLH - B - T NEW EDITION



Standard features

- 2 Twin Stream augers (15mm flighting/18mm wings)
- 2 Reversible restrictor blades
- Wide-angle PTO shaft with 1¾-6 profile
- Adjustable and reversible drawbar
- Tandem axle with 4 single wheels
- Control by bowden cable
- Wear ring
- Hydraulic brake system
- Trioform auger knives short
- Dual Flow: Improved shape of the mixing tub and offset inserts
- Large discharge door with rounded edges for better discharge
- Wide discharge unit (w=1m) with conveyor belt for discharge at both sides (right and left)
- Stairs with platform and windows
- 2 Windows in discharge unit

MODEL		1600L VLH-B-T	1800 VLH-B-T	2000 VLH-B-T	2000L VLH-B-T	2400 VLH-B-T	2800 VLH-B-T
Discharge		Cross conveyor belt at front					
Capacity	m ³	16	18	20	20	24	28
Overall length	mV	7,52	7,56	7,61	7,99	7,68	8,18
Overall width	m	2,29	2,29	2,29	2,44	2,44	2,54
Overall height	m	2,74	2,87	3,06	2,74	3,27	3,33
Track width outside wheels	m	1,99	1,99	1,99	1,99	1,99	2,19
Discharge height*	m	0,92	0,92	0,92	0,92	0,92	0,94
Height bottom of belt	m	0,69	0,69	0,69	0,70	0,69	0,72
Net weight	kg	6.300	6.500	7.200	7.500	7.700	10.290
Maximum load	kg	9.700	9.500	8.800	7.600	10.300	11.700
PTO Drive		540	540	540	540	540	540/1000
Power requirement PTO	HP (kW)	102 (75)	102 (75)	102 (75)	112 (82)	109 (80)	140 (103)
Wheels		435/50 R 19.5					
Required hydraulic capacity		20 l/min., 170 bar					
Required tractor hydraulics		1 single acting valve					

* Top side of conveyor belt

Solomix 2 | 1200 - 1600 | VLH - K NEW EDITION



Standard features

- 2 Twin Stream augers (15mm flighting/18mm wings)
- 2 Reversible restrictor blades
- Wide-angle PTO shaft with 1¾-6 profile
- Adjustable and reversible drawbar
- Two large single wheels (1200-1400) or double wheels (1500-1600)
- Control by bowden cable
- Wear ring
- Hydraulic brake system
- Trioform auger knives short
- Dual Flow: Improved shape of the mixing tub and offset inserts
- Large discharge door with rounded edges for better discharge
- Wide discharge unit (w=0,96m) with chain conveyor for discharge at both sides (right and left)
- Stairs with platform and windows
- 2 Windows in discharge unit

MODEL		1200 VLH-K	1400 VLH-K	1500 VLH-K	1600 VLH-K
Discharge		Cross conveyor chain at front			
Capacity	m ³	12	14	15	16
Overall length	m	6,57	6,73	7,05	7,09
Overall width	m	2,29	2,29	2,29	2,29
Overall height	m	2,51	2,74	2,64	2,77
Track width outside wheels	m	1,70	2,05	2,05	2,05
Discharge height*	m	0,74	0,74	0,74	0,74
Height bottom of chain	m	0,53	0,53	0,52	0,52
Net weight	kg	5.000	5.200	5.600	5.700
Maximum load	kg	4.500	4.500	5.000	5.000
PTO Drive		540	540	540	540
Power requirement PTO	HP (kW)	82 (60)	82 (60)	85 (62)	85 (62)
Wheels		400/45 L17.5		235/75 R17.5 (double)	
Required hydraulic capacity		20 l/min., 170 bar			
Required tractor hydraulics		1 single acting valve			

* Top side of chain conveyor

Solomix 2 | 1600L - 2400 | VLH - K

NEW EDITION



Standard features

- 2 Twin Stream augers (15mm flighting/18mm wings)
- 2 Reversible restrictor blades
- Wide-angle PTO shaft
- Adjustable and reversible drawbar
- 2 Large single wheels
- Control by bowden cable
- Wear ring
- Hydraulic brake system
- Trioform auger knives short
- Dual Flow: Improved shape of the mixing tub and offset inserts
- Large discharge door with rounded edges for better discharge
- Wide discharge unit (w=0,96m) with chain conveyor for discharge at both sides (right and left)
- Stairs with platform and windows
- 2 Windows in discharge unit

MODEL		1600L VLH-K	1800 VLH-K	2000 VLH-K	2000L VLH-K	2400 VLH-K
Discharge		Cross conveyor chain at front				
Capacity	m ³	16	18	20	20	24
Overall length	m	7,52	7,56	7,61	7,99	7,68
Overall width	m	2,29	2,29	2,29	2,44	2,44
Overall height	m	2,69	2,83	3,02	2,70	3,23
Track width outside wheels	m	2,14	2,14	2,14	2,14	2,14
Discharge height *	m	0,87	0,87	0,87	0,88	0,87
Height bottom of chain	m	0,65	0,66	0,66	0,66	0,66
Net weight	kg	6.000	6.200	6.900	7.200	7.400
Maximum load	kg	7300	7300	6600	6300	6600
PTO Drive		540	540	540	540	540
Power requirement PTO	HP (kW)	102 (75)	102 (75)	102 (75)	112 (82)	109 (80)
Wheels		435/50 R 19.5				
Required hydraulic capacity		20 l/min., 170 bar				
Required tractor hydraulics		1 single acting valve				

* Top side of chain conveyor

Solomix 2 | 1600L - 2800 | VLH - K - T

NEW EDITION



Standard features

- 2 Twin Stream augers (15mm flighting/18mm wings)
- 2 Reversible restrictor blades
- Wide-angle PTO shaft
- Adjustable and reversible drawbar
- Tandem axle with 4 single wheels
- Control by bowden cable
- Wear ring
- Hydraulic brake system
- Trioform auger knives short
- Dual Flow: Improved shape of the mixing tub and offset inserts
- Large discharge door with rounded edges for better discharge
- Wide discharge unit (w=0,96m) with chain conveyor for discharge at both sides (right and left)
- Stairs with platform and windows
- 2 Windows in discharge unit

MODEL		1600L VLH-K-T	1800 VLH-K-T	2000 VLH-K-T	2000L VLH-K-T	2400 VLH-K-T	2800 VLH-K-T
Discharge		Cross conveyor chain at front					
Capacity	m ³	16	18	20	20	24	28
Overall length	m	7,52	7,56	7,61	7,99	7,68	8,18
Overall width	m	2,29	2,29	2,29	2,44	2,44	2,54
Overall height	m	2,74	2,87	3,06	2,74	3,27	3,33
Track width outside wheels	m	1,99	1,99	1,99	1,99	1,99	2,19
Discharge height*	m	0,92	0,92	0,92	0,92	0,92	0,94
Height bottom of chain	m	0,69	0,69	0,69	0,69	0,69	0,72
Net weight	kg	6.300	6.500	7.200	7.500	7.700	10.420
Maximum load	kg	9.700	9.500	8.800	7.600	10.300	11.600
PTO Drive		540	540	540	540	540	540/1000
Power requirement PTO	HP (kW)	102 (75)	102 (75)	102 (75)	112 (82)	109 (80)	140 (103)
Wheels (4 x)		435/50 R 19.5					
Required hydraulic capacity		20 l/min., 170 bar					
Required tractor hydraulics		1 single acting valve					

* Top side of chain conveyor

Solomix 2 | 1200 - 1600 | VLH - C

NEW EDITION



Standard features

- 2 Twin Stream augers (15mm flighting/18mm wings)
- 2 Reversible restrictor blades
- Wide-angle PTO shaft with 1¾-6 profile
- Adjustable and reversible drawbar
- Two large single wheels (1200-1400) or double wheels (1500-1600)
- Control by bowden cable
- Wear ring
- Hydraulic brake system
- Trioform auger knives short
- Dual Flow: Improved shape of the mixing tub and offset inserts
- Large discharge door with rounded edges for better discharge
- Wide curved chain conveyor (w= 0,87m) with side shift for discharge at both sides
- Stairs with platform and windows
- 2 Windows in discharge unit

MODEL		1200 VLH-C	1400 VLH-C	1500 VLH-C	1600 VLH-C
Discharge		Curved chain conveyor with side shift			
Capacity	m ³	12	14	15	16
Overall length	m	6,57	6,73	7,05	7,09
Overall width	m	2,30	2,30	2,30	2,30
Overall height	m	2,51	2,74	2,64	2,77
Track width outside wheels	m	1,7	2,05	2,05	2,05
Discharge height*	m	0,84	0,84	0,83	0,83
Height bottom of chain	m	0,97	0,97	0,97	0,97
Net weight	kg	5.000	5.200	5.600	5.700
Maximum load	kg	4.500	4.500	5.000	5.000
PTO Drive		540	540	540	540
Power requirement PTO	HP (kW)	82 (60)	82 (60)	85 (62)	85 (62)
Wheels		400/45 L17.5		235/75 R17.5 (double)	
Required hydraulic capacity		20 l/min., 170 bar			
Required tractor hydraulics		1 single acting valve			

* Max. wall or trough height

Solomix 2 | 1600L - 2400 | VLH - C

NEW EDITION



Standard features

- 2 Twin Stream augers (15mm flighting/18mm wings)
- 2 Reversible restrictor blades
- Wide-angle PTO shaft
- Adjustable and reversible drawbar
- 2 Large single wheels
- Control by bowden cable
- Wear ring
- Hydraulic brake system
- Trioform auger knives short
- Dual Flow: Improved shape of the mixing tub and offset inserts
- Large discharge door with rounded edges for better discharge
- Wide curved chain conveyor (w= 0,87m) with side shift for discharge at both sides
- Stairs with platform and windows
- 2 Windows in discharge unit

MODEL		1600L VLH-C	1800 VLH-C	2000 VLH-C	2000L VLH-C	2400 VLH-C
Discharge		Curved chain conveyor with side shift				
Capacity	m ³	16	18	20	20	24
Overall length	m	7,52	7,56	7,61	7,99	7,68
Overall width	m	2,30	2,30	2,30	2,54	2,44
Overall height*	m	2,69	2,83	3,02	2,70	3,23
Track width outside wheels	m	2,14	2,14	2,14	2,14	2,14
Discharge height	m	0,96	0,97	0,97	1,04	0,97
Height bottom of chain	m	1,09	1,1	1,1	1,27	1,1
Net weight	kg	6.000	6.200	6.900	7.200	7.400
Maximum load	kg	7.300	7300	6600	6300	6600
PTO Drive		540	540	540	540	540
Power requirement PTO	HP (kW)	102 (75)	102 (75)	102 (75)	112 (82)	109 (80)
Wheels		435/50 R 19.5				
Required hydraulic capacity		20 l/min., 170 bar				
Required tractor hydraulics		1 single acting valve				

* Max. wall or trough height

Solomix 2 | 1600L - 2800 | VLH - C - T NEW EDITION



Standard features

- 2 Twin Stream augers (15mm flighting/18mm wings)
- 2 Reversible restrictor blades
- Wide-angle PTO shaft
- Adjustable and reversible drawbar
- Tandem axle with 4 single wheels
- Control by bowden cable
- Wear ring
- Hydraulic brake system
- Trioform auger knives short
- Dual Flow: Improved shape of the mixing tub and offset inserts
- Large discharge door with rounded edges for better discharge
- Wide curved chain conveyor (w= 0,87m) with side shift for discharge at both sides
- Stairs with platform and windows

MODEL		1600L VLH-C-T	1800 VLH-C-T	2000 VLH-C-T	2000L VLH-C-T	2400 VLH-C-T	2800 VLH-C-T
Discharge		Curved chain conveyor with side shift					
Capacity	m ³	16	18	20	20	24	28
Overall length	m	7,52	7,56	7,61	7,99	7,68	8,18
Overall width	m	2,30	2,30	2,30	2,54	2,44	2,54
Overall height	m	2,74	2,87	3,06	2,74	3,27	3,33
Track width outside wheels	m	1,99	1,99	1,99	1,99	1,99	2,19
Discharge height*	m	1,01	1,01	1,01	1,07	1,01	1,10
Height bottom of chain	m	1,14	1,14	1,14	1,30	1,14	1,33
Net weight	kg	6.300	6.500	7.200	7.500	7.700	10.570
Maximum load	kg	9.700	9.500	8.800	7.600	10.300	11.400
PTO Drive		540	540	540	540	540	540/1000
Power requirement PTO	HP (kW)	102 (75)	102 (75)	102 (75)	112 (82)	109 (80)	140 (103)
Wheels		435/50 R 19.5					
Required hydraulic capacity		20 l/min., 170 bar					
Required tractor hydraulics		1 single acting valve					

* Max. wall or trough height

Solomix 2 | 1200 - 1600 | VLH - S NEW EDITION



Standard features

- 2 Twin Stream augers (15mm flighting/18mm wings)
- 2 Reversible restrictor blades
- Wide-angle PTO shaft with 1¾-6 profile
- Adjustable and reversible drawbar
- Two large single wheels (1200-1400) or double wheels (1500-1600)
- Control by bowden cable
- Wear ring
- Hydraulic brake system
- Trioform auger knives short
- Dual Flow: Improved shape of the mixing tub and offset inserts
- Large discharge door with rounded edges for better discharge
- Wide discharge unit (w=0,87m) with chain conveyor with in height adjustable chain extension (right side)
- Stairs with platform and windows
- 2 Windows in discharge unit

MODEL		1200 VLH-S	1400 VLH-S	1500 VLH-S	1600 VLH-S
Discharge		Adjustable chain conveyor at front (right)			
Capacity	m ³	12	14	15	16
Overall length	m	6,57	6,73	7,05	7,09
Overall width	m	2,42	2,42	2,45	2,45
Overall height	m	2,51	2,74	2,64	2,77
Track width outside wheels	m	1,70	1,80	2,05	2,05
Discharge height*	m	1,26	1,26	1,25	1,25
Height bottom of chain*	m	0,90	0,90	0,90	0,90
Net weight	kg	5.000	5.200	5.600	5.700
Maximum load	kg	4.500	4.500	5.000	5.000
PTO Drive		540	540	540	540
Power requirement PTO	HP (kW)	82 (60)	82 (60)	85 (62)	85 (62)
Wheels		400/45 L17.5			
Required hydraulic capacity		20 l/min., 170 bar			
Required tractor hydraulics		1 single acting valve			

* Max. wall or trough height (vary between 0,90m and 1,26m)

Solomix 2 | 1600L - 2400 | VLH - S

NEW EDITION



Standard features

- 2 Twin Stream augers (15mm flighting/18mm wings)
- 2 Reversible restrictor blades
- Wide-angle PTO shaft
- Adjustable and reversible drawbar
- 2 Large single wheels
- Control by bowden cable
- Wear ring
- Hydraulic brake system
- Trioform auger knives short
- Dual Flow: Improved shape of the mixing tub and offset inserts
- Large discharge door with rounded edges for better discharge
- Wide discharge unit (w=0,87m) with chain conveyor with in height adjustable chain extension (right side)
- Stairs with platform and windows
- 2 Windows in discharge unit

MODEL		1600L VLH-S	1800 VLH-S	2000 VLH-S	2000L VLH-S	2400 VLH-S
Discharge		Adjustable chain conveyor at front (right)				
Capacity	m ³	16	18	20	20	24
Overall length	m	7,52	7,56	7,61	7,99	7,68
Overall width	m	2,46	2,46	2,46	2,54	2,54
Overall height	m	2,69	2,83	3,02	2,70	3,23
Track width outside wheels	m	2,14	2,14	2,14	2,14	2,14
Discharge height*	m	1,38	1,38	1,38	1,39	1,38
Height bottom of chain*	m	1,02	1,02	1,02	1,03	1,02
Net weight	kg	6.000	6.200	6.900	7.200	7.400
Maximum load	kg	7300	7300	6600	6300	6600
PTO Drive		540	540	540	540	540
Power requirement PTO	HP (kW)	102 (75)	102 (75)	102 (75)	112 (82)	109 (80)
Wheels		435/50 R 19.5				
Required hydraulic capacity		20 l/min., 170 bar				
Required tractor hydraulics		1 single acting valve				

* Max. wall or trough height (vary between 1,02m and 1,38m)

Solomix 2 | 1600L - 2800 | VLH - S - T

NEW EDITION



Standard features

- 2 Twin Stream augers (15mm flighting/18mm wings)
- 2 Reversible restrictor blades
- Wide-angle PTO shaft
- Adjustable and reversible drawbar
- Tandem axle with 4 single wheels
- Control by bowden cable
- Wear ring
- Hydraulic brake system
- Trioform auger knives short
- Dual Flow: Improved shape of the mixing tub and offset inserts
- Large discharge door with rounded edges for better discharge
- Wide discharge unit (w=0,87m) with chain conveyor with in height adjustable chain extension (right side)
- Stairs with platform and windows
- 2 Windows in discharge unit

MODEL		1600L VLH-S-T	1800 VLH-S-T	2000 VLH-S-T	2000L VLH-S-T	2400 VLH-S-T	2800 VLH-S-T
Discharge		Adjustable chain conveyor at front (right)					
Capacity	m ³	16	18	20	20	24	28
Overall length	m	7,52	7,56	7,61	7,99	7,68	8,18
Overall width	m	2,46	2,46	2,46	2,54	2,54	2,54
Overall height	m	2,74	2,87	3,06	2,74	3,27	3,33
Track width outside wheels	m	1,99	1,99	1,99	1,99	1,99	2,19
Discharge height*	m	1,42	1,42	1,42	1,42	1,42	1,45
Height bottom of chain*	m	1,07	1,07	1,07	1,07	1,07	1,09
Net weight	kg	6.300	6.500	7.200	7.500	7.700	10.500
Maximum load	kg	9.700	9.500	8.800	7.600	10.300	11.500
PTO Drive		540	540	540	540	540	540/1000
Power requirement PTO	HP (kW)	102 (75)	102 (75)	102 (75)	112 (82)	109 (80)	140 (103)
Wheels		435/50 R 19.5					
Required hydraulic capacity		20 l/min., 170 bar					
Required tractor hydraulics		1 single acting valve					

* Max. wall or trough height (vary between 1,07m and 1,42m)

Solomix 2 | 1200 - 1600 | ZK

NEW EDITION



Standard features

- 2 Twin Stream augers (15mm flighting/18mm wings)
- 2 side discharge doors with rounded edges for better discharge in front
- Manual adjustable discharge chutes
- Flexible and spacious side door covers
- 2 Restrictor blades
- Wide-angle PTO shaft with 1 $\frac{3}{4}$ "-6 profile
- 2 Large single wheels (1200-1400) or double wheels (1500-1600)
- Adjustable and reversible drawbar
- Window in front of the mixing tub
- Directly operated by tractor hydraulics
- Hydraulic brakes
- Wear ring
- Trioform auger knives short
- Platform with stairs and windows

MODEL		1200 ZK	1400 ZK	1500 ZK	1600 ZK
Discharge		Two side discharge doors at front			
Capacity	m ³	12	14	15	16
Overall length	m	5,99	6,06	6,36	6,40
Overall width	m	2,24	2,24	2,34	2,34
Overall height	m	2,51	2,74	2,67	2,80
Track width outside wheels	m	1,71	1,81	2,05	2,05
Discharge height *	m	0,82	0,82	0,82	0,82
Net weight	kg	4.900	5.100	5.300	5.500
Maximum load	kg	4.500	4.500	5.000	5.000
PTO Drive		540	540	540	540
Power requirement PTO	HP (kW)	82 (60)	82 (60)	85 (62)	85 (62)
Wheels		400/45 L17.5		235/75 R17.5 (double)	
Required hydraulic capacity		20 l/min., 170 bar			
Required tractor hydraulics		2 double acting valves			
* Height of bottom of tub					

Solomix 2 | 1600L - 2400 | ZK

NEW EDITION



Standard features

- 2 Twin Stream augers (15mm flighting/22mm wings)
- 2 side discharge doors with rounded edges for better discharge in front
- Manual adjustable discharge chutes
- Flexible and spacious side door covers
- 2 Restrictor blades
- Wide-angle PTO shaft with 1 $\frac{3}{4}$ "-6 profile
- 2 Large single wheels
- Adjustable and reversible drawbar
- Window in front of the mixing tub
- Directly operated by tractor hydraulics
- Hydraulic brakes
- Wear ring
- Trioform auger knives short
- Platform with stairs and windows

MODEL		1600L ZK	1800 ZK	2000 ZK	2000L ZK	2400 ZK
Discharge		Two side discharge doors at front				
Capacity	m ³	16	18	20	20	24
Overall length	m	6,81	6,85	6,91	7,27	6,97
Overall width	m	2,47	2,44	2,45	2,66	2,52
Overall height	m	2,69	2,83	3,02	2,68	3,22
Track width outside wheels	m	2,14	2,14	2,14	2,14	2,14
Discharge height *	m	0,95	0,95	0,95	0,95	0,95
Net weight	kg	5.800	6.000	6.600	6.700	7.100
Maximum load	kg	4.600	7500	6900	6800	6900
PTO Drive		540	540	540	540	540
Power requirement PTO	HP (kW)	102 (75)	102 (75)	102 (75)	112 (82)	109 (80)
Wheels		435/50 R 19.5				
Required hydraulic capacity		20 l/min., 170 bar				
Required tractor hydraulics		2 double acting valves				
* Height of bottom of tub						

Solomix 2 | 1800 - 2400 | ZK - T

NEW EDITION



Standard features

- 2 Twin stream augers (15mm flighting/18mm wings)
- Walking tandem axle with four single wheels
- 2 Restrictor blades
- Wide-angle PTO shaft
- Adjustable and reversible drawbar
- Window in front of the mixing tub
- 2 side discharge doors with rounded edges for better discharge in front
- Manual adjustable discharge chutes
- Flexible and spacious side door covers
- Directly operated by tractor hydraulics
- Hydraulic brake system with parking brake
- Wear ring
- Trioform auger knives short
- Platform with stairs and windows

MODEL		1800 ZK-T	2000 ZK-T	2000L ZK-T	2400 ZK-T
Discharge		Two side discharge doors at front			
Capacity	m ³	18	20	20	24
Overall length	m	6,85	6,91	7,27	6,97
Overall width	m	2,45	2,45	2,66	2,50
Overall height	m	2,87	3,06	2,72	3,27
Track width outside wheels	m	1,99	1,99	1,99	1,99
Discharge height *	m	1,02	1,02	1,02	1,02
Net weight	kg	6.400	7.000	7.050	7.550
Maximum load	kg	9.600	9.000	7.600	10.000
PTO Drive		540	540	540	540
Power requirement PTO	HP (kW)	102 (75)	102 (75)	112 (82)	109 (80)
Wheels (4 x)		435/50 R 19.5			
Required hydraulic capacity		20 l/min., 170 bar			
Required tractor hydraulics		2 double acting valves			
* Height of bottom of tub					



Solomix P2 | 1200 - 2400 | ZK - T

NEW EDITION



Standard features

- Mechanically driven (by V-belts) straw bedder at front
- Low blower pipe for spreading width up to 25m
- Two Twin Stream augers (15mm flighting/18mm wings)
- Constant velocity PTO shaft
- Adjustable and reversible drawbar
- Two manual restrictor blades
- Right, left or dual discharge
- 2 side discharge doors with rounded edges for better discharge in front
- Manual adjustable discharge chutes
- Flexible and spacious side door covers
- Electric operation
- Two wide single wheels (1200-2000) or four single wheels on a walking tandem (2400)
- Wear ring
- With hydraulic brakes
- Trioform auger knives short

MODEL	1200 ZK	1600 ZK	1800 ZK	2000 ZK	2400 ZK-T
Discharge	Two side discharge doors at front				
Capacity	m ³ 12	16	18	20	24
Overall length	m 6,30	6,71	7,17	7,22	7,29
Overall width	m 2,24	2,33	2,47	2,46	2,46
Overall height	m 2,51	2,77	2,81	3,02	3,27
Overall height staw blower	m 2,72		2,87		
Track width outside wheels	m 1,70	2,05	2,15	2,15	1,99
Discharge height *	m 0,82	0,85	0,99	0,99	1,03
Net weight	kg 5.425	6.250	6.425	7.075	7.975
Maximum load	kg 4.500	5.000	7000	7000	10.000
PTO Drive	540	540	540	540	540
Power requirement PTO	pl (kW) 82 (60)	85 (62)	102 (75)	102 (75)	109 (80)
Wheels	400/45 L17.5	235/75 R17.5	435/50 R 19.5	435/50 R 19.5	
Wheels (4 x)					435/50 R 19.5
Required hydraulic capacity	20 l/min., 170 bar				
Required tractor hydraulics	1 single acting valve				
* Height of bottom of tub					



Solomix 2 X-Range

X-RANGE



Powerful and great in performance

The Solomix X-range is a real Heavy Duty mixer feeder built for intensive use. The mixer feeder is specially developed for livestock farmers who want to handle large amounts of feed in short time. Not only full loads are perfectly mixed; even smaller amounts of feed are mixed quickly and homogeneously thanks to the sturdy 22 mm Long Life mixing augers, the "Dual Flow" mixing principle and the specially shaped mixing tub. Thanks to the extra-wide conveyor at front combined with a wide discharge door (models VLX) or the wide side discharge doors (models ZKX), the X-range has the highest discharge capacity. In short: reliable, powerful and great in performance, exactly what you expect!



Solomix 2 X-Range



An investment that pays off

The Heavy Duty-constructed Solomix 2 X-Range combines the best mix quality with the highest discharge capacity and the lowest Total Cost of Ownership (TCO).

X-range machines (VLX / ZKX) are standard equipped with:

- Heavy Duty 1000 RPM drive line
- 2 Long Life augers with 22mm flighting / 25mm wings
- Mixing tub with 10 mm wall thickness and 15mm wear ring
- Heavy Duty chassis. The heavy-duty tandem axle has been developed to support the heavy loads day by day



Solomix 2 | 2400L - 3200 | VLX - B - T

NEW EDITION



Standard features

- 2 Heavy duty Twin stream augers (22mm flighting/25mm wings)
- 2 Reversible restrictor blades
- Wide-angle PTO-shaft with shearbolt (1 1/4" -20 tractor connection)
- Adjustable and reversible drawbar (2400L) or adjustable low drawbar (2800 / 3200)
- Reduction gearbox standard (with cooling system for 2400L / 2800)
- Tandem axle with 4 single wheels
- Control by bowden cable
- Wear ring
- Hydraulic brake system with parking brake
- Trioform auger knives short
- Dual Flow: Improved shape of the mixing tub and offset inserts
- Large discharge door with rounded edges for better discharge
- Wide discharge unit with conveyor belt at front (W=1m) for discharge at both sides, RHS or LHS
- Stairs with platform and windows
- 2 Windows in discharge unit
- Pre-mix rear door without activation kit standard on the models 2800 and 3200

MODEL		2400L VLX-B-T	2800 VLX-B-T	3200 VLX-B-T
Discharge		Cross conveyor belt at front		
Capacity	m ³	24	28	32
Overall length	m	8,30	8,37	8,61
Width excl. conveyor	m	2,66	2,66	2,80
Width incl. conveyor	m	2,75	2,75	2,80
Overall height	m	3,04	3,44	3,44
Track width outside wheels	m	2,19	2,18	2,18
Discharge height*	m	0,93	1,09	1,09
Net weight	kg	9.900	11.250	12.050
Maximum load	kg	12.050	10.700	9.900
Power requirement PTO	HP (kW)	120 (88)	130 (95)	150 (110)
Wheels (4 x)		435/50 R 19.5	385/65 R 22.5	385/65 R 22.5
PTO Drive		1.000		
Required hydraulic capacity		20 l/min., 170 bar		
Required tractor hydraulics		1 single acting valve		

* Height of top of belt

Solomix 2 | 2400L - 3200 | VLX - K - T

NEW EDITION



Standard features

- 2 Heavy duty Twin stream augers (22mm flighting/25mm wings)
- 2 Reversible restrictor blades
- Wide-angle PTO-shaft with shearbolt (1 1/4" -20 tractor connection)
- Adjustable and reversible drawbar (2400L) or adjustable low drawbar (2800 / 3200)
- Reduction gearbox standard (with cooling system for 2400L / 2800)
- Tandem axle with 4 single wheels
- Control by bowden cable
- Wear ring
- Hydraulic brake system with parking brake
- Trioform auger knives short
- Dual Flow: Improved shape of the mixing tub and offset inserts
- Large discharge door with rounded edges for better discharge
- Wide discharge unit (w=0,96m) with chain conveyor for discharge at both sides, RHS or LHS
- Stairs with platform and windows
- 2 Windows in discharge unit
- Pre-mix rear door without activation kit standard on the models 2800 and 3200

MODEL		2400L VLX-K-T	2800 VLX-K-T	3200 VLX-K-T
Discharge		Cross conveyor chain at front		
Capacity	m ³	24	28	32
Overall length	m	8,30	8,37	8,61
Width excl. conveyor	m	2,66	2,66	2,80
Width incl. conveyor	m	2,75	2,75	2,80
Overall height	m	3,04	3,44	3,44
Track width outside wheels	m	2,19	2,18	2,18
Discharge height*	m	0,93	1,09	1,09
Net weight	kg	9.900	11.250	12.050
Maximum load	kg	12.050	10.700	9.900
Power requirement PTO	HP (kW)	120 (88)	130 (95)	150 (110)
Wheels (4 x)		435/50 R 19.5	385/65 R 22.5	385/65 R 22.5
PTO Drive		1.000		
Required hydraulic capacity		20 l/min., 170 bar		
Required tractor hydraulics		1 single acting valve		

* Top of chain

Solomix 2 | 2400L - 3200 | VLX - C - T NEW EDITION



Standard features

- 2 Heavy duty Twin stream augers (22mm flighting/25mm wings)
- 2 Reversible restrictor blades
- Wide-angle PTO-shaft with shearbolt (1 3/4" -20 tractor connection)
- Adjustable and reversible drawbar (2400L) or adjustable low drawbar (2800 / 3200)
- Reduction gearbox standard (with cooling system for 2400L / 2800)
- Tandem axle with 4 single wheels
- Control by bowden cable
- Wear ring
- Hydraulic brake system with parking brake
- Trioform auger knives short
- Dual Flow: Improved shape of the mixing tub and offset inserts
- Large discharge door with rounded edges for better discharge
- Wide curved chain conveyor (w= 0,87m) with side shift for discharge at both sides
- Stairs with platform and windows
- 2 Windows in discharge unit
- Pre-mix rear door without activation kit standard on the models 2800 and 3200

MODEL		2400L VLX-C-T	2800 VLX-C-T	3200 VLX-C-T
Discharge		Curved chain conveyor with side shift		
Capacity	m ³	24	28	32
Overall length	m	8,30	8,37	8,61
Width excl. conveyor	m	2,66	2,66	2,80
Width incl. conveyor	m	2,75	2,75	2,80
Overall height	m	3,04	3,44	3,44
Track width outside wheels	m	2,19	2,18	2,18
Discharge height*	m	1,15	1,30	1,30
Height bottom of chain*	m	1,40	1,56	1,56
Net weight	kg	10.000	11.400	12.150
Maximum load	kg	12.000	10.600	9.800
Power requirement PTO	HP (kW)	120 (88)	130 (95)	150 (110)
Wheels (4 x)		435/50 R 19.5	385/65 R 22.5	385/65 R 22.5
PTO Drive		1.000		
Required hydraulic capacity		20 l/min., 170 bar		
Required tractor hydraulics		1 single acting valve		

* Max. wall or trough height

Solomix 2 | 2400L - 3200 | VLX - S - T NEW EDITION



Standard features

- 2 Heavy duty Twin stream augers (22mm flighting/25mm wings)
- 2 Reversible restrictor blades
- Wide-angle PTO-shaft with shearbolt (1 3/4" -20 tractor connection)
- Adjustable and reversible drawbar (2400L) or adjustable low drawbar (2800 / 3200)
- Reduction gearbox standard (with cooling system for 2400L / 2800)
- Tandem axle with 4 single wheels
- Control by bowden cable
- Wear ring
- Hydraulic brake system with parking brake
- Trioform auger knives short
- Dual Flow: Improved shape of the mixing tub and offset inserts
- Large discharge door with rounded edges for better discharge
- Wide discharge unit (w=0,87m) with chain conveyor with in height adjustable chain extension (right side)
- Stairs with platform and windows
- 2 Windows in discharge unit
- Pre-mix rear door without activation kit standard on the models 2800 and 3200

MODEL		2400L VLX-S-T	2800 VLX-S-T	3200 VLX-S-T
Discharge		Adjustable chain conveyor at front (right)		
Capacity	m ³	24	28	32
Overall length	m	8,30	8,37	8,61
Width excl. conveyor	m	2,66	2,68	2,80
Width incl. conveyor	m	2,66	2,66	2,80
Overall height	m	3,04	3,44	3,44
Track width outside wheels	m	2,19	2,18	2,18
Discharge height *	m	1,65	1,81	1,81
Height bottom of chain*	m	1,08	1,24	1,24
Net weight	kg	9.900	11.300	12.050
Maximum load	kg	12.050	10.700	9.900
Power requirement PTO	HP (kW)	120 (88)	130 (95)	150 (110)
Wheels (4 x)		435/50 R 19.5	385/65 R 22.5	385/65 R 22.5
PTO Drive		1.000		
Required hydraulic capacity		20 l/min., 170 bar		
Required tractor hydraulics		1 single acting valve		

* Max. wall or trough height (vary between 1,08m and 1,81m)

Solomix 2 | 2400L - 2800 | ZKX

NEW EDITION



Standard features

- 2 Heavy duty Twin stream augers (22mm flighting/25mm wings) with Trioform auger knives short
- 2 (2400L) or 4 (2800) restrictor blades
- Wide-angle PTO-shaft with shearbolt (1¼ -20 tractor connection)
- Adjustable and reversible drawbar (2400L) or adjustable low drawbar (2800)
- Reduction gearbox standard with cooling system
- 2 Large double wheels
- Two side discharge doors with rounded edges for better discharge in front
- Manual adjustable discharge chutes
- Flexible and spacious side door covers
- Directly operated by tractor hydraulics
- Hydraulic brake system with parking brake
- Wear ring
- Pre-mix rear door without activation kit standard on the 2800
- Platform with stairs and windows

MODEL		2400L ZKX	2800 ZKX
Discharge		Two side discharge doors at front	
Capacity	m ³	24	28
Overall length	m	7,36	7,53
Overall width	m	2,74	2,74
Overall height	m	3,02	3,37
Track width outside wheels	m	2,32	2,39
Discharge height *	m	0,97	1,14
Net weight	kg	8.400	9.800
Maximum load	kg	8800	11200
Power requirement PTO	HP (kW)	120 (88)	130 (95)
Wheels (4 x)		275/70 R 22.5	315/80 R 22.5
PTO Drive		1.000	
Required hydraulic capacity		20 l/min., 170 bar	
Required tractor hydraulics		2 double acting valves	

* Height of bottom of tub

X-RANGE

Solomix 2 | 2400L - 3200 | ZKX - T

NEW EDITION



Standard features

- 2 Heavy duty Twin stream augers (22mm flighting/25mm wings) with Trioform auger knives short
- 2 (2400L) or 4 (2800 / 3200) restrictor blades
- Wide-angle PTO-shaft with shearbolt (1¼ -20 tractor connection)
- Adjustable and reversible drawbar for low connection (2400L)
- Adjustable low drawbar (2800 / 3200)
- Reduction gearbox standard (with cooling system for 2400L and 2800)
- Tandem axle with 4 single wheels
- Two side discharge doors with rounded edges for better discharge in front
- Manual adjustable discharge chutes
- Flexible and spacious side door covers
- Directly operated by tractor hydraulics
- Hydraulic brake system with parking brake
- Wear ring
- Pre-mix rear door without activation kit standard on the models 2800 and 3200
- Platform with stairs and windows

MODEL		2400L ZKX-T	2800 ZKX-T	3200 ZKX-T
Discharge		Two side discharge doors at front		
Capacity	m ³	24	28	32
Overall length	m	7,36	7,53	7,96
Overall width	m	2,74	2,73	2,94
Overall height	m	3,02	3,42	3,42
Track width outside wheels	m	2,00	2,18	2,19
Discharge height **	m	1,02	1,17	1,19
Net weight	kg	8.550	10.150	11.000
Maximum load	kg	13.450	11.000	11.000
Power requirement PTO	HP (kW)	120 (88)	130 (95)	150 (110)
Wheels (4 x)		435/50 R 19.5	385/65 R 22.5	385/65 R 22.5
PTO Drive		1.000		
Required hydraulic capacity		20 l/min., 170 bar		
Required tractor hydraulics		2 double acting valves		

* Height of bottom of tub

Solomix P2 | 2400L - 2800 | ZKX

NEW EDITION



Standard features

- 2 Heavy Duty Twin Stream augers (22mm flighting/25mm wings) with short Trioform auger knives
- Mechanically driven (by V-belts) straw bedder at front
- Low blower pipe for spreading width up to 25m
- 2 (2400L) or 4 (2800) restrictor blades
- Wide-angle PTO-shaft with shearbolt (1 $\frac{3}{4}$ -20 tractor connection)
- Adjustable and reversable drawbar for low connection for the 2400L
- Adjustable low drawbar (2800 / 3600)
- Reduction gearbox standard (with cooling system for 2400L and 2800)
- Tandem axle with 4 single wheels and hydraulic brake system with parking brake
- Two side discharge doors with rounded edges for better discharge in front (2400L-2800)
- Manual adjustable discharge chutes and flexible and spacious side door covers
- Electric operation
- Wear ring
- Pre-mix rear door without activation kit standard on model 2800

MODEL		P2 2400L ZKX	P2 2800 ZKX
Discharge		Two side discharge doors at front	
Number of augers		2	2
Capacity	m ³	24	28
Overall length	m	8,00	8,06
Overall width	m	2,76	2,75
Overall width	m	3,02	3,42
Track width outside wheels	m	2,19	2,18
Discharge height **	m	1,02	1,17
Net weight	kg	9.650	11.000
Maximum load	kg	10.350	9.000
Power requirement PTO	HP (kW)	120 (88)	130 (95)
Wheels (4 x)		435/50 R 19.5	385/65 R 22.5
PTO Drive RPM		1.000	
Required hydraulic capacity		20 l/min., 170 bar	
Required tractor hydraulics		1 single acting valve	

* Height of bottom of tub





X-RANGE



38 | 39

Trioliet feeding technology | since 1950

Trioliet BV

Kleibultweg 59
7575 BW Oldenzaal
The Netherlands

T +31 541 - 57 21 21

info@trioliet.com
www.trioliet.com

WWW.TRIOLIET.COM

Trioliet. Invents for you.

